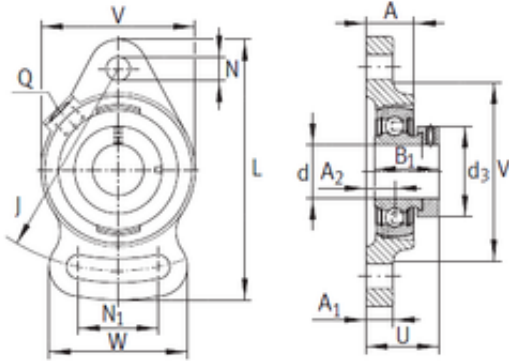




AMERICAN SKF BEARING MFG.CORP.

INA PSFT30 Flange-Mount Ball Bearing Units



PSFT30 Bearing 2D drawings and 3D CAD models

Bearing No. PSFT30

Bore Diameter	30 mm
d	30 mm
V	80 mm
U	39,7 mm
Thread (Q)	Rp1/8
d3	44 mm
A	22 mm
A1	12 mm
B1	35,8 mm
J	117 mm
L	142 mm
N	11,5 mm
N1	40 mm
W	65 mm
A2	13 mm
Weight	0,77 Kg
Basic dynamic load rating (C)	19,5 kN
Category	Mounted Units & Inserts
Inventory	0.0
Manufacturer Name	SCHAEFFLER GROUP
Minimum Buy Quantity	N/A
Weight / Kilogram	1.03
EAN	4012802799255
Product Group	M06110