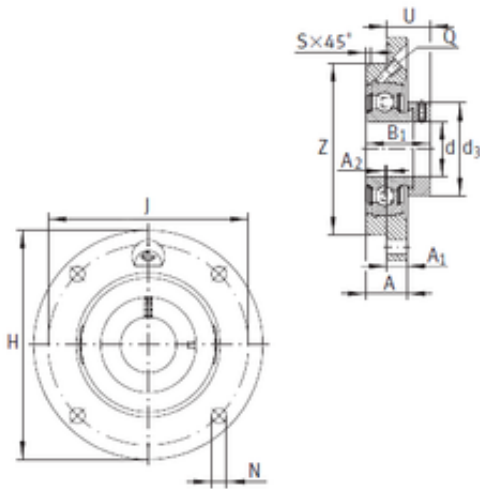




AMERICAN SKF BEARING MFG.CORP.



PME45 Bearing 2D drawings and 3D CAD models

INA PME45 Flange-Mount Ball Bearing Units

Bearing No. PME45

Bore Diameter	45 mm
d	45 mm
U	30,7 mm
Thread (Q)	M6
Z	105 mm
d3	63 mm
A	25 mm
A1	12 mm
B1	43,8 mm
H	155 mm
J	130 mm
N	14 mm
S	2 mm
A2	2 mm
Weight	1,93 Kg
Basic dynamic load rating (C)	32,5 kN
Category	Flange Block Bearings
Inventory	0.0
Manufacturer Name	SCHAEFFLER GROUP
Minimum Buy Quantity	N/A
Weight / Kilogram	2.241
EAN	4012802064773
Product Group	M06110
Number of Mounting Holes	4
Mounting Method	Eccentric Collar
Housing Style	4 Bolt Round Flange



AMERICAN SKF BEARING MFG.CORP.

	Cartridge
Rolling Element	Ball Bearing
Housing Material	Cast Iron
Expansion / Non-expansion	Non-expansion
Mounting Bolts	14 Millimeter
Relubricatable	Yes
Insert Part Number	GRAE45NPPB
Seals	Double Lip Contact
Housing Configuration	1 Piece Solid
Pilot Configuration	With Pilot
Inch - Metric	Metric
Long Description	4 Bolt Round Flange Cartridge; 45MM Bore; 130MM Bolt Circle; 91.9MM Bolt Spacing; 1 Piece Solid; Eccentric Collar Mount; Cast Iron; Ball Bearing; 43.7MM Length Thru Bore; Relubricatable; Double Lip Co
Other Features	Single Row Centering Spigot With Set Screw
Category	Flange Block
UNSPSC	31171501
Harmonized Tariff Code	8483.20.40.40
Noun	Bearing
Keyword String	Flanged
Manufacturer URL	http://www.ina.com
Manufacturer Item Number	PME45
Weight / LBS	4.256
Cartridge Pilot Depth	0.433 Inch 11 Millimeter
Length Thru Bore	1.72 Inch 43.7 Millimeter
Nominal Bolt Circle Diameter Round	5.1 Inch 130 Millimeter
Bore	1.772 Inch 45 Millimeter



AMERICAN SKF BEARING MFG.CORP.

Bolt Spacing	3.6 Inch 91.9 Millimeter
Cartridge Pilot Diameter	4.134 Inch 105 Millimeter